

# MARLON VL63724-UNV

WALL

PROJECT

## DESCRIPTION

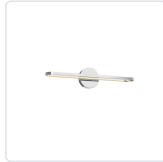
With a lightweight frame and geometric influence, the Marlon Collection is an instant classic vanity collection. Designed with ample lighting in mind, the Marlon Collection is as functional as it is beautiful. Available in Black, Brushed Nickel and Chrome finishes.



VL63724-BK-UNV  
Black



VL63724-BN-UNV  
Brushed Nickel



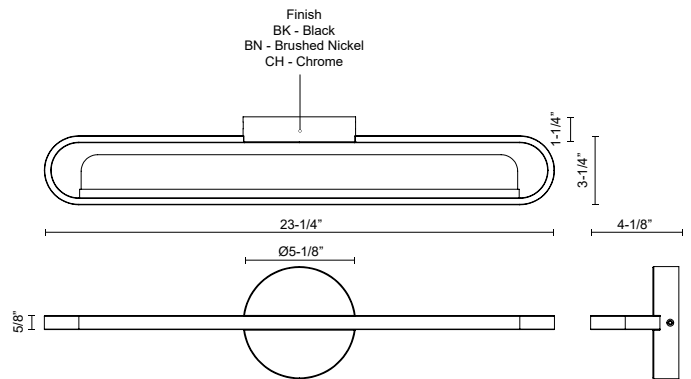
VL63724-CH-UNV  
Chrome

## SPECIFICATION DETAILS

<b>Fixture Dimensions</b>	W23-1/4" x H5/8" x E3-1/4"
<b>Light Source</b>	LED with DC Driver
<b>Wattage</b>	22W
<b>Total Lumens</b>	1270lm
<b>Delivered Lumens</b>	BK-835lm; BN-954lm; CH-1144lm
<b>Voltage</b>	120-277V
<b>Color Temperature</b>	3000K
<b>CRI (Ra)</b>	90CRI
<b>Optional Color Temps</b>	2700K - 5000K Available, Minimum Order Quantities Apply
<b>LED Rated Life</b>	50,000 hours
<b>Dimming</b>	100% - 10%, TRIAC or ELV Dimmer (Not Included)
<b>Diffuser Details</b>	Acrylic Light Guide
<b>ADA Compliant</b>	Yes
<b>Location</b>	Damp
<b>Illumination Direction</b>	Up and Down
<b>Mounting Style</b>	All Orientation; Wall;
<b>CEC Title 24 JA8</b>	Yes, JA8-2022
<b>Canopy Dimensions</b>	D5-1/8" x E1-1/4"
<b>Height to Center</b>	2-1/2"
<b>Paint Finish</b>	BK02; BN01; CH01
<b>Material</b>	Aluminum + Acrylic

\* For custom options, consult factory for details.

\* For warranty information, please visit [www.kuzcolighting.com/warranty](http://www.kuzcolighting.com/warranty)



# KUZCO

CANADA: 19054 28TH AVENUE - SURREY, BC V3Z 6M3  
USA: 3035 E. LONE MOUNTAIN ROAD - LAS VEGAS, NV 89081

[WWW.KUZCOLIGHTING.COM](http://WWW.KUZCOLIGHTING.COM)

© 2024 KUZCO LIGHTING. ALL RIGHTS RESERVED.

## COMMENT