

## IN41450 INSTALLATION INSTRUCTIONS

Please read carefully and save these instructions, as you may need them at a later date.

### CAUTION

**WARNING:** Risk of Fire. Consult a qualified electrician to ensure correct branch circuit conductor. Min 90°C supply conductors.

Turn off the main power at the circuit breaker before installing the fixture, in order to prevent possible shock.

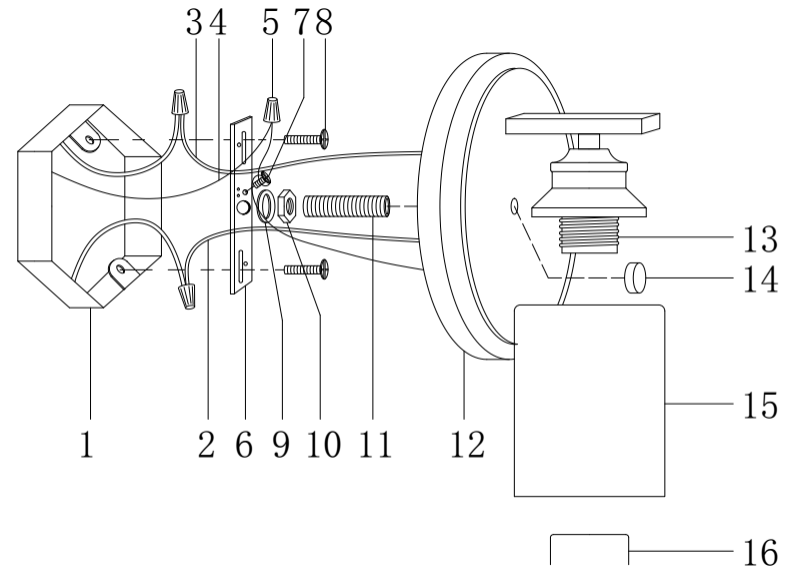
### GENERAL

All electrical connections must be in accordance with local and National Electrical Code (N.E.C.) standards. If you are unfamiliar with proper electrical wiring connections obtain the services of a qualified electrician.

Remove the fixture and the mounting package from the box and make sure that no parts are missing by referencing the illustrations on the installation instructions.

### ASSEMBLY AND INSTALLATION

1. Secure the cross bar (6) with mounting screw (8) to the outlet box (1). Thread hex nut (10) onto nipple (11). Insert lock washer (9) and thread the nipple (11) into the cross bar.
2. Pull out the outlet wire and ground wire from the outlet box (1). Make wire connections.  
--Ribbed wire (w/o marking) from light to White wire (2) from power source.  
--Smooth wire (w/o marking) from light to Black wire (3) from power source.  
--Loop the ground wire (4) to cross bar (6) with a ground screw (7).
3. Raise the canopy(12) allowing for nipple (11) to protrude through the hole in the canopy (12) then secure with the finial (14).
4. Place the glass shade (15) over the socket (13) and secure with the socket ring (16)
5. Install bulbs: (bulbs not included)  
(Do not exceed the maximum capacity recommended on the sockets).



1. OUTLET BOX
2. WHITE WIRE
3. BLACK WIRE
4. GROUND WIRE
5. WIRE CONNECTOR
6. CROSS BAR
7. GROUND SCREW
8. MOUNTING SCREW
9. LOCK WASHER
10. HEX NUT
11. NIPPLE
12. CANOPY
13. SOCKET
14. FINIAL
15. GLASS SHADE
16. SOCKET RING

INSTALLATION IS NOW COMPLETE