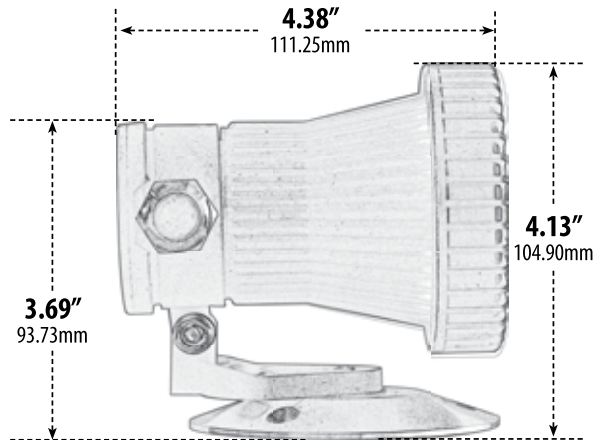
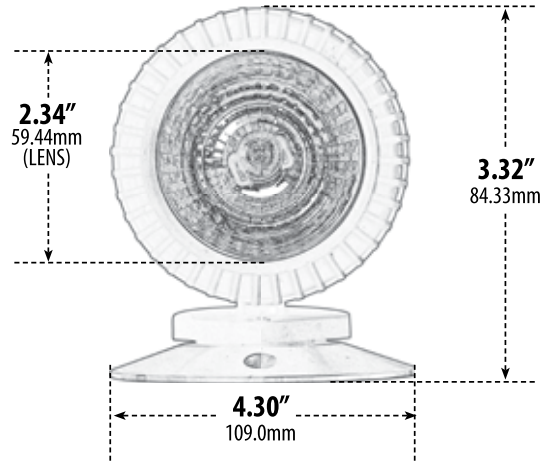


# LV341

## POND AND FOUNTAIN UNDERWATER LIGHT



- ▶ **Material:** Polybutylene Terephthalate (PBT)
- ▶ **Lens:** Clear, Heat Resistant, Tempered Glass
- ▶ **Lamp:** MR16 Bi-Pin Base (35W Maximum)

MODEL NUMBER	LAMP TYPE	ILLUMINANT TYPE	WATTS (W)	VOLTS (V)	LAMP(S) INCLUDED?
LV341	MR16	HALOGEN	20	12	YES
LV-LED341	MR16-LED	3 LEDs	3	12	YES

- ▶ **Available Finish:** Black
- ▶ **Pre-Wired with UL Listed 21' 16/3 Underwater Cable**
- ▶ **Adjustable U-Shaped Bracket w/Stainless Steel Base**
- ▶ **Transformer:** LVT300-SUB/SS Transformer (required) Sold Separately
- ▶ **ETL Approved**

Overall Dimensions:  
5.75 "H x 3.50"W x 5.50"D

Maximum Height: 6.00"  
Minimum Height: 3.75"  
Width: 3.50"  
Maximum Depth: 7.50"  
Minimum Depth: 4.50"

Weight: 2.20 lbs  
Approximate Wire Length: 252"  
Box Dimensions:  
5.50"H x 4.75"W x 4.75"D



DABMAR LIGHTING INCORPORATED

2140 Eastman Ave . Oxnard, CA 93030 . 805.604.9090 . f: 805.604.9050 . www.dabmar.com