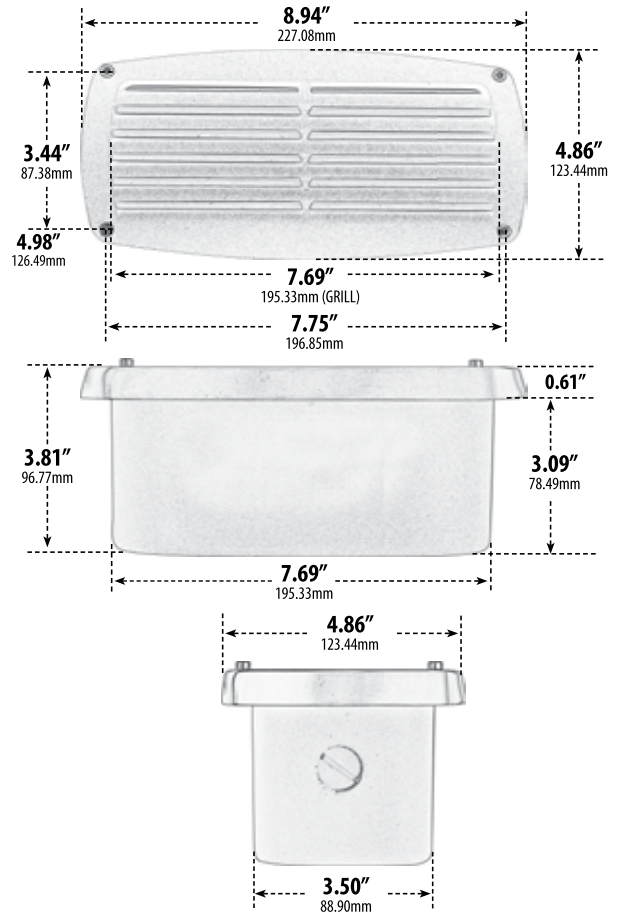


# DSL1017

## RECESSED LOUVERED BRICK, STEP AND WALL LIGHT



- ▶ **Material:** Powder Coated Cast Aluminum
- ▶ **Lens:** White, Heat Resistant, Tempered Glass

MODEL NUMBER	LAMP TYPE	ILLUMINANT TYPE	WATTS (W)	VOLTS (V)	LAMP(S) INCLUDED?
DSL1017	T10	INCANDESCENT	40	120	NO
DSL1075	PL5	FLUORESCENT	5	120	YES
DSL1077	PL7	FLUORESCENT	7	120	YES
DSL1079	PL9	FLUORESCENT	9	120	YES
DSL1083	PLQ13	FLUORESCENT	13	120	YES
DSL1084	S13-GU24	FLUORESCENT	13	120	YES
DSL1085	S26-GU24	FLUORESCENT	26	120	YES
DSL1086	G24-LED	60 LEDs	11	120-277	YES

- ▶ **Available Finish:** Black, Bronze, Verde Green, White
- ▶ **Recessed Mount**
- ▶ **Replacement Cover Plate:** P-CVR-DSL1017 (sold separately)
- ▶ **ETL Approved**

DSL1017: 1.60 lbs Incandescent (no lamp included)  
 DSL1075: 2.40 lbs  
 DSL1077: 2.40 lbs  
 DSL1079: 2.40 lbs  
 DSL1083: 2.40 lbs  
 DSL1084: 2.40 lbs  
 DSL1085: 2.40 lbs  
 DSL1086: 2.40 lbs

Overall Dimensions:  
 4.85"H x 8.95"W x 3.80"D

Wire Length: 4.38"  
 Box Dimensions: 9.50"H x 5.50"W x 5.00"D



DABMAR LIGHTING INCORPORATED

2140 Eastman Ave . Oxnard, CA 93030 . 805.604.9090 . f: 805.604.9050 . www.dabmar.com