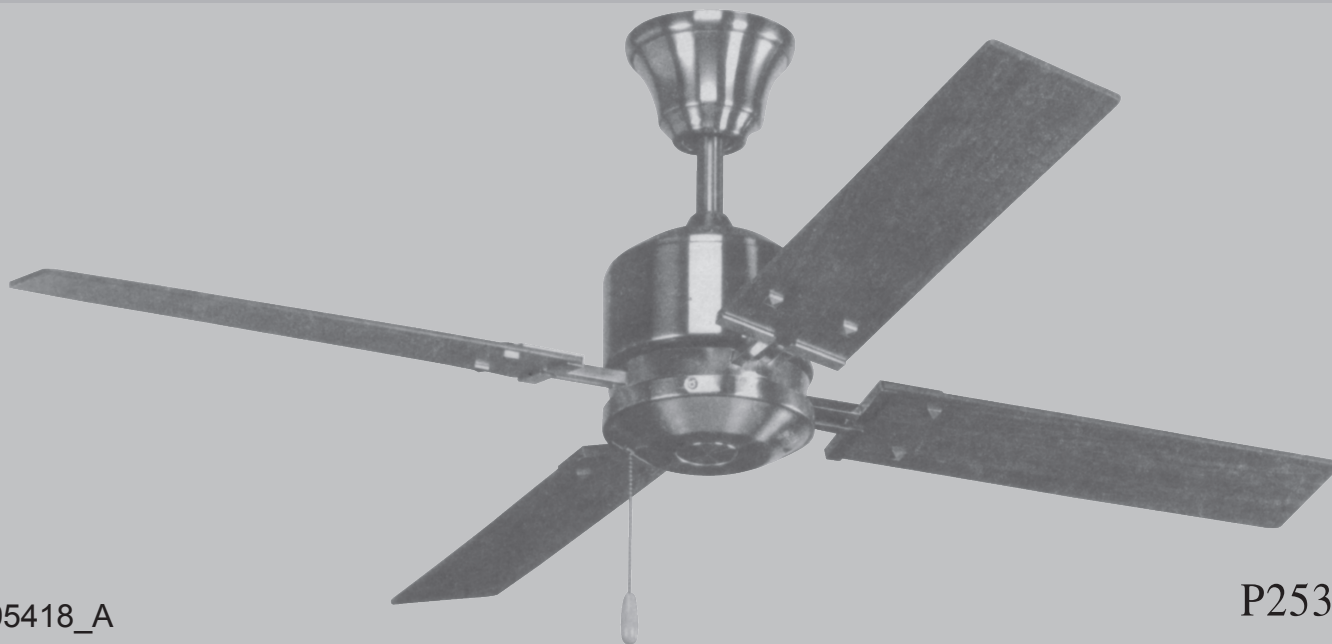


Ceiling Fan Installation Manual



93095418_A

P2531

30-YEAR LIMITED WARRANTY

Progress Lighting fan motors are warranted to the END USER to be free of electrical and/or mechanical defects for a period of 30 (thirty) years from date of sale. Pull chain switches, reverse switches, capacitors and metal finishes are warranted for a period of 1 year. Warping of wooden or plastic blades is not covered by this warranty.

The END USER has the option of returning the defective fan to the place of purchase during the first 30 days for a replacement. After 30 days, the purchaser MUST contact Progress Lighting for repair or replacement. The END USER also bears the responsibility for all costs in the removal, shipping and reinstallation of fans or parts for repair or replacement.

Progress Lighting will not assume liability or responsibility for damages (including incidental or consequential) caused by the improper installation or operation of the unit or its component parts, or by the failure of supporting hardware not supplied by Progress Lighting. This warranty is given in lieu of all other guarantees, whether expressed or implied, and is voided in cases of abuse, misuse or improper handling, negligence, shipping damage, unauthorized repairs (made or attempted) or unusual application.

Some states do not allow limitations on how long an implied warranty lasts or the exclusion or limitations of incidental or consequential damages, so the above limitations and exclusions may not apply to you. This warranty gives you specific rights and you may have other rights which vary from state to state.



Date Purchased _____

Store Purchased _____

UL Model No. P2531

Serial No. _____

Vendor No. 111017

 785247163557
UPC 785247163540

30-YEAR LIMITED WARRANTY

Safety Rules.....	1
Unpacking Your Fan.....	2
Installing Your Fan.....	3
Operating Your Fan.....	11
Care of Your Fan.....	12
Troubleshooting	13
Specifications.....	14

Table of Contents

READ AND SAVE THESE INSTRUCTIONS

1. To reduce the risk of electric shock, insure electricity has been turned off at the circuit breaker or fuse box before beginning.
2. All wiring must be in accordance with the National Electrical Code ANSI/NFPA 70-1999 and local electrical codes. Electrical installation should be performed by a qualified licensed electrician.
3. **WARNING:** To reduce the risk of electrical shock and fire, do not use this fan with any solid-state fan speed control device.
4. **CAUTION:** To reduce the risk of personal injury, use only the screws provided with the outlet box.
5. The outlet box and support structure must be securely mounted and capable of reliably supporting a minimum of 35 pounds. Use only UL Listed outlet boxes marked "FOR FAN SUPPORT OF 15.9KG (35lbs) OR LESS."
6. The fan must be mounted with a **minimum of 7 feet clearance** from the trailing edge of the blades to the floor.
7. Do not operate reversing switch while fan blades are in motion. Fan must be turned off and blades stopped before reversing blade direction.
8. Avoid placing objects in the path of the blades.
9. To avoid personal injury or damage to the fan and other items, be cautious when working around or cleaning the fan.
10. Do not use water or detergents when cleaning the fan or fan blades. A dry dust cloth or lightly dampened cloth will be suitable for most cleaning.
11. After making electrical connections, spliced conductors should be turned upward and pushed carefully up into outlet box. The wires should be spread apart with the grounded conductor and the equipment-grounding **conductor on one side of the outlet box and the ungrounding conductor on the other side of the outlet box.**
12. **Electrical diagrams are for reference only. Light kits that are not packed with the fan must be UL listed and marked suitable for use with the model fan you are installing. Switches must be UL General Use Switches. Refer to the instructions packaged with the light kits and switches for proper assembly.**
13. All set screws must be checked, and reightened where necessary, before installation.

WARNING

TO REDUCE THE RISK OF FIRE, ELECTRIC SHOCK OR PERSONAL INJURY, MOUNT FAN TO OUTLET BOX MARKED ACCEPTABLE FOR FAN SUPPORT OF 15.9KG(35lbs) OR LESS WITH THE SCREWS PROVIDED WITH THE OUTLET BOX.

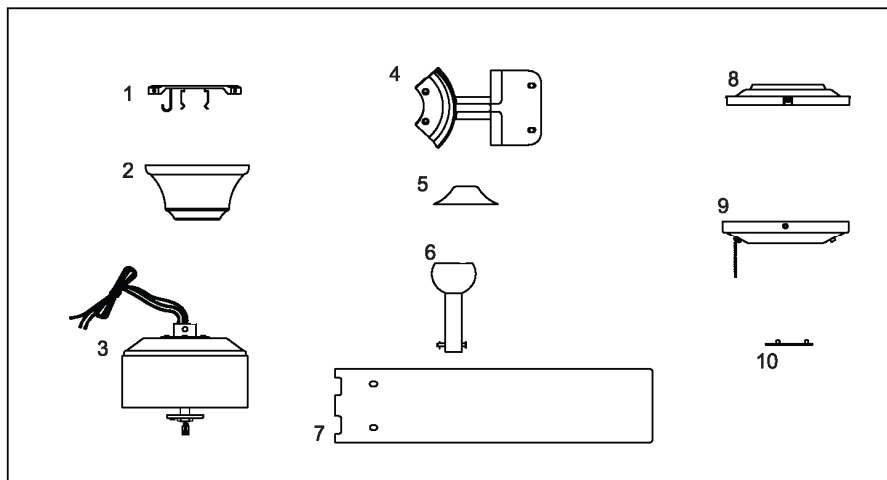
WARNING

TO REDUCE THE RISK OF PERSONAL INJURY, DO NOT BEND THE BLADE BRACKETS WHEN INSTALLING THE BRACKETS, BALANCING THE BLADES, OR CLEANING THE FAN. DO NOT INSERT OBJECTS IN THE PATH OF THE BLADES.

WARNING

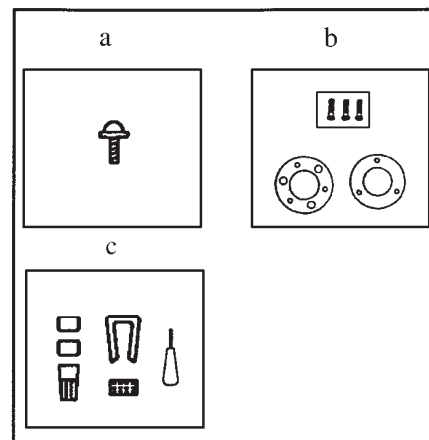
THIS PRODUCT CONTAINS CHEMICALS KNOWN TO THE STATE OF CALIFORNIA TO CAUSE CANCER, BIRTH DEFECTS AND/OR OTHER REPRODUCTIVE HARM. THOROUGHLY WASH HANDS AFTER INSTALLING, HANDLING, CLEANING, OR OTHERWISE TOUCHING THIS PRODUCT.

1. Safety Rules



Unpack your fan and check the contents. You should have the following items:

- | | |
|--|----------------------------|
| 1. Mounting plate (located inside canopy) | 7. Blades (4) |
| 2. Canopy with Canopy Ring Attached | 8. Switch housing cover |
| 3. Fan Motor Assembly | 9. Switch housing |
| 4. Blade Bracket Set (4) | 10. Extra 45-degree Canopy |
| 5. Decorative Motor Collar Cover | Bottom Cover |
| 6. Ball/Downrod Assembly (1) with hanger pin and locking pin pre-attached. | |



- a. **Blade attachment hardware**
(9 washer head screws)
- b. **Mounting hardware** (1 rubber gasket, 1 metal gasket, 3 screws & lock-washers)
- c. **Electrical hardware & Balancing Kit**
(3 plastic wire connectors, 1 pull chain, blade balancing kit).

IMPORTANT

PLEASE REMOVE RUBBER MOTOR STOPS ON THE BOTTOM OF THE FAN BEFORE INSTALLING BLADES OR TESTING MOTOR

Unpacking Your Fan 2.

Tools Required

Phillips screw driver, straight slot screw driver, adjustable wrench, step ladder, and wire cutters.

Mounting Options

If there isn't an existing mounting box, then read the following instructions. Disconnect the power by removing fuses or turning off circuit breakers.

Secure the outlet box directly to the building structure. Use appropriate fasteners and building materials. The outlet box and its support must be able to fully support the moving weight of the fan (at least 35 lbs.). Do not use plastic outlet boxes.

WARNING
TO REDUCE THE RISK OF FIRE, ELECTRIC SHOCK OR PERSONAL INJURY, MOUNT TO OUTLET BOX MARKED "ACCEPTABLE FOR FAN SUPPORT OF 35LBS. (15.9 KG) OR LESS", AND USE SCREWS PROVIDED WITH THE OUTLET BOX. ELECTRICAL BOXES COMMONLY USED FOR THE SUPPORT OF LIGHTING FIXTURES MAY NOT BE ACCEPTABLE FOR FAN SUPPORT AND MAY NEED TO BE REPLACED. CONSULT A QUALIFIED ELECTRICIAN IF IN DOUBT.

Figures 1, 2, and 3 are examples of different ways to mount the outlet box.

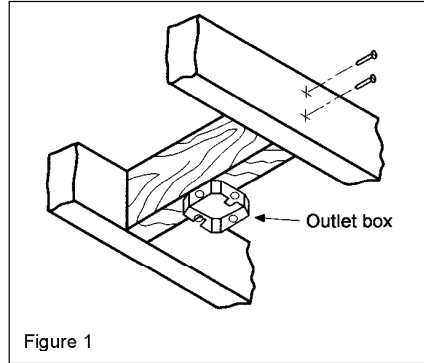


Figure 1

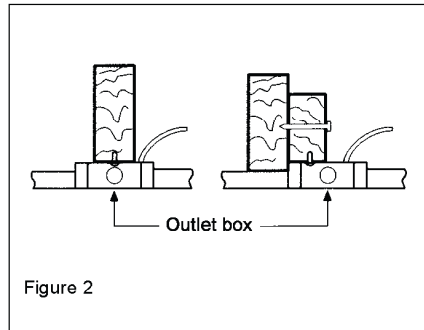


Figure 2

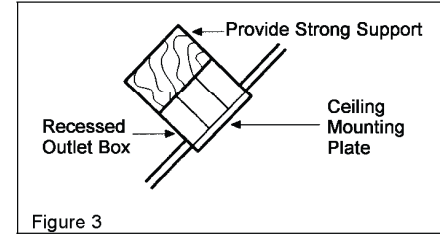


Figure 3

Note: You may need a longer down-rod to maintain proper blade clearance when installing on a steep, sloped ceiling. **The maximum angle allowable is 45 degrees. Note: For mounting angles between 20-45 degrees, please replace the canopy bottom cover installed on the bottom of the canopy opening with the extra 45-degree canopy bottom cover included.**

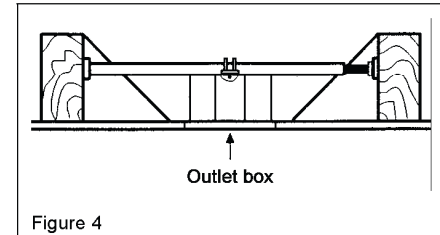


Figure 4

To hang your fan where there is an existing fixture but no ceiling joist, you may need an installation hanger bar as shown in Figure 4 (available at your Progress Lighting Retailer).

3. Installing Your Fan

Hanging the Fan

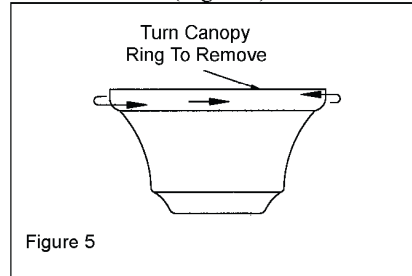
REMEMBER to turn off the power. Follow the steps below to hang your fan properly.

NOTE: This ceiling fan is supplied with two types of hanging assemblies; the standard ceiling installation using the ball/ downrod assembly mounting, and the "close-to-ceiling" mounting. The "close-to-ceiling" mounting is recommended in rooms with less than 8-foot ceilings or in areas where additional space is desired from the floor to the fan blades. When using standard downrod installation, the distance from the ceiling to the bottom of the fan blades will be approximately 12 inches. The "close-to-ceiling" installation reduces the distance from the ceiling to the bottom of the fan blades to approximately 8 inches.

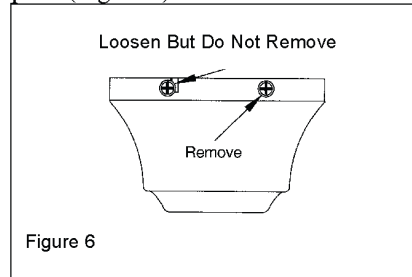
STANDARD CEILING MOUNTING

Note: For mounting angles between 20-45 degrees, please replace the canopy bottom cover installed on the bottom of the canopy opening with the extra 45-degree canopy bottom cover included.

1. Remove the canopy ring from the canopy by turning the ring to the right until it unlocks (Figure 5).



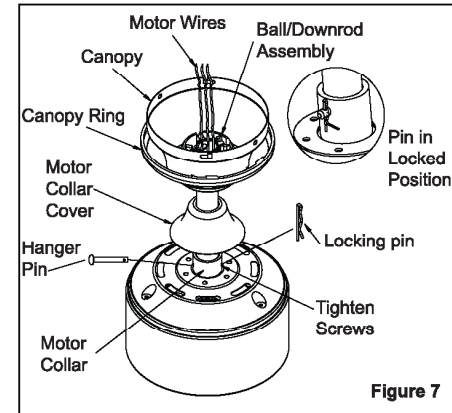
2. Remove the mounting plate from the canopy by loosening the four screws on the top of the canopy. Remove the two non-slotted screws and loosen the slotted screws. This will enable you to remove the mounting plate (Figure 6).



3. Remove the hanger pin and locking pin from downrod assembly.
4. Route the wires exiting the top of

the fan motor through the decorative motor collar cover then the canopy ring. Make sure the slot openings are on top. Route the wires through the canopy and then through the ball/downrod assembly (Figure 7).

5. Loosen, but do not remove, the set screws on the collar on the top of the motor housing.



6. Align the holes at the bottom of the downrod with holes in the collar on top of the motor housing (Figure 7). Carefully insert the hanger pin through the holes in the collar and downrod. Be careful not to jam the pin against the wiring inside the downrod. Insert the locking pin through the hole near the end of the hanger pin until it snaps into its locked position as noted in the circle inset of Figure 7.

7. Re-tighten the set screws on the collar on the top of the motor housing.

WARNING

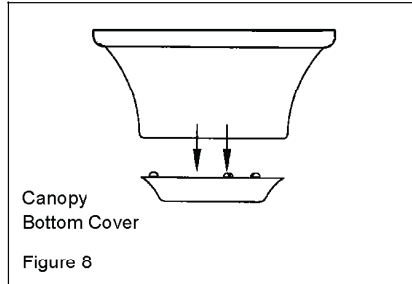
FAILURE TO PROPERLY INSTALL LOCKING PIN AS NOTED IN STEP 6 COULD RESULT IN FAN LOOSENING AND POSSIBLY FALLING.

CLOSE-TO-CEILING MOUNTING

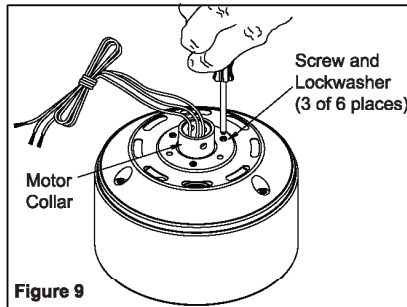
1. Remove the canopy ring from the canopy by turning the ring to the right until it unlocks (Figure 5).

2. Remove the mounting plate from the canopy by loosening the four screws on the top of the canopy. Remove the two non-slotted screws and loosen the slotted screws. This will enable you to remove the mounting plate (Figure 6).

3. Remove the decorative canopy bottom cover from the canopy by depressing the three studs (Figure 8).



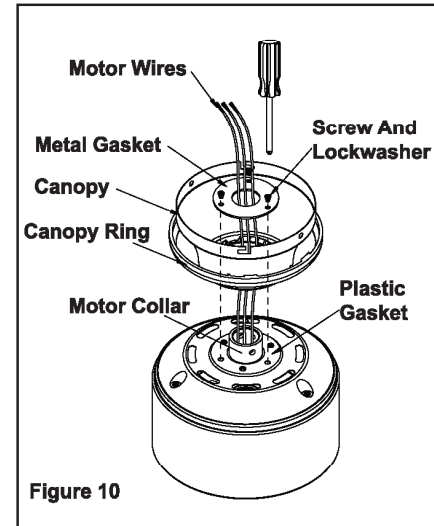
4. Remove three of the six screws and lockwashers (every other one) securing the motor collar to the top of the fan motor housing (Figure 9).



5. Route the wires exiting the top of the fan motor through the plastic gasket, canopy ring, canopy and the metal gasket, place the plastic gasket over the remaining three screws, place the canopy ring, canopy and the metal gasket over the motor collar at the top of the fan motor (Figure 10).

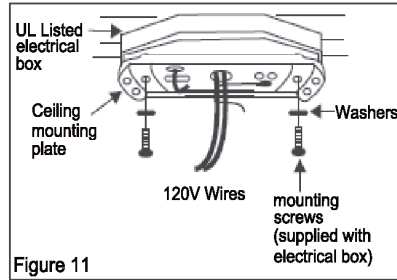
6. Align the three mounting screw holes on the metal gasket with the holes on the motor collar at the top of the fan motor and fasten, using the three screws and lockwashers provided with metal gasket.

7. Tighten the three mounting screws securely.



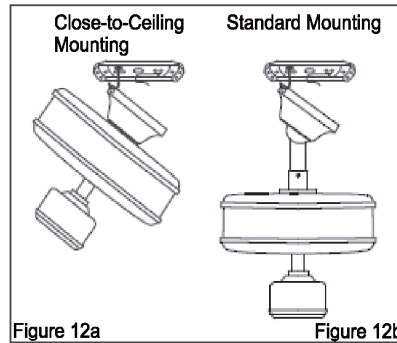
Installing Fan to the Electrical Box

1. Pass the 120-volt supply wires through the center hole in the ceiling mounting plate as shown in Fig. 11.
2. Install the ceiling mounting plate on the electrical box by using the mounting screws provided with the electrical box. When using the close-to-ceiling mounting, it is important that the mounting plate be level. If necessary, use leveling washers (not supplied) between the mounting plate and electrical box. Note that the flat side of the mounting plate is toward the electrical box. (Fig. 11)
3. Tighten the two screws on the electrical box securely.
4. Carefully lift the fan assembly up to the ceiling mounting plate and hang the fan on the hook provided by utilizing one of the holes at the outer rim of the ceiling canopy (Fig. 12a, 12b).



CAUTION: WHEN MOUNTING THE FAN ON A SLOPED CEILING, THE STANDARD BALL / DOWNROD MOUNTING METHOD MUST BE USED. MAKE SURE THE MOUNTING PLATE SLOTS ARE ON THE LOWER SIDE BY SLIDING THE MOUNTING PLATE FROM THE TOP DOWN.

WARNING: THE HOOK AS SHOWN IN FIG. 12a, 12b IS ONLY TO BALANCE FAN WHILE ATTACHING WIRING. FAILURE TO HANG AS SHOWN IN FIG. 12a, 12b MAY RESULT IN HOOK BREAKING CAUSING THE FAN TO FALL. HOOK MUST PASS FROM INSIDE TO OUTSIDE OF CANOPY.



WARNING: WHEN USING THE STANDARD BALL/DOWNROD MOUNTING, THE TAB IN THE RING AT THE BOTTOM OF THE MOUNTING PLATE MUST REST IN THE GROOVE OF THE HANGER BALL. FAILURE TO PROPERLY SEAT THE TAB IN THE GROOVE COULD CAUSE DAMAGE TO WIRING.

Making the Electrical Connections

REMEMBER to disconnect the power. If you feel that you do not have enough electrical wiring knowledge or experience, have your fan installed by a licensed electrician.

Follow the steps below to connect the fan to your household wiring. Use the wire connecting nuts supplied with your fan. Secure the connectors with electrical tape. Make sure there are no loose strands or connections.

Step 1 Connect the two green fan ground wires, located on the downrod and mounting plate, to the household ground wire. When using Close-to-Ceiling mounting, there is only one green ground lead from the ceiling mounting plate since the ball/downrod assembly is not used.

Step 2 Connect the neutral fan (white) wire to the white neutral household wire.

Step 3 Connect the fan light supply (blue) wire and the fan supply (black) wire to the black household supply wire as shown in Figure 13.

Step 4 After connecting the wires, spread them apart so that the green and white wires are on one side of the outlet box and the black wire is on the other side.

Step 5 Turn the wire connecting nuts

upward and push the wiring into the outlet box.

WARNING
TO REDUCE THE RISK OF FIRE OR ELECTRIC SHOCK, DO NOT USE A WALL MOUNTED SOLID STATE SPEED CONTROL WITH THIS FAN. IT WILL PERMANENTLY DAMAGE THE ELECTRONIC CIRCUITRY.

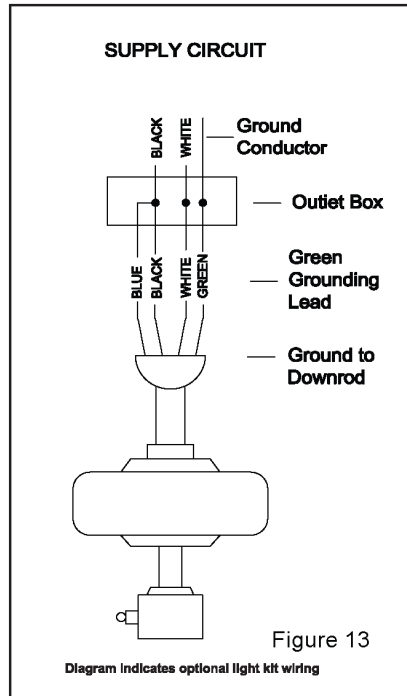


Figure 13

Diagram indicates optional light kit wiring

WARNING

EACH WIRE NUT (WIRE CONNECTOR) SUPPLIED WITH THIS FAN IS DESIGNED TO ACCEPT UP TO ONE 12 GAUGE HOUSE WIRE AND TWO WIRES FROM THE FAN. IF YOU HAVE LARGER THAN 12 GAUGE HOUSE WIRING OR MORE THAN ONE HOUSE WIRE TO CONNECT TO THE FAN WIRING, CONSULT AN ELECTRICIAN FOR THE PROPER SIZE WIRE NUTS TO USE.

Finishing the Fan Installation

STANDARD CEILING MOUNTING

1. Carefully lift the canopy up to the mounting plate. Make sure the tab in the ring at the bottom of the canopy is properly seated in the groove in the hanger ball. Align the locking slots of the ceiling canopy with the two screws in the mounting plate. Push up to engage the slots and turn clockwise to lock in place. Immediately tighten the two mounting screws firmly.
2. Install the remaining two mounting screws into the holes in the canopy and tighten firmly.
3. Install the decorative canopy ring by aligning the ring's slots with the screws in the canopy. Rotate the ring counter-clockwise to lock in place.
4. You may now proceed to attaching the fan blades.

CLOSE-TO-CEILING MOUNTING

1. Carefully unhook the fan from the mounting plate and align the locking slots of the ceiling canopy with the two screws in the mounting plate. Push up to engage the slots and turn clockwise to lock in place. Immediately tighten the two mounting screws firmly.
2. Install the remaining two mounting screws into the holes in the canopy and tighten firmly.
3. Install the decorative canopy ring by aligning the ring's slots with the screws in the canopy. Rotate the ring counter-clockwise to lock in place.
4. You may now proceed to attaching the fan blades.

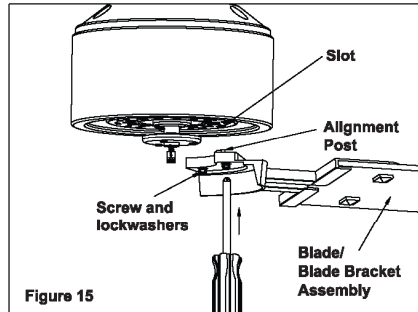
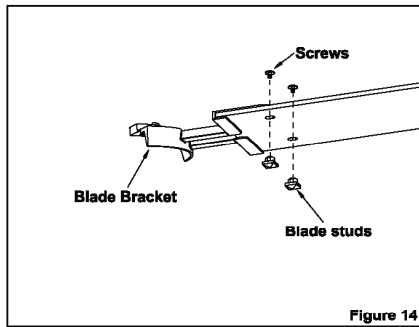
WARNING

LOCKING SLOTS OF CEILING CANOPY ARE PROVIDED ONLY AS AN AID TO MOUNTING. DO NOT LEAVE FAN ASSEMBLY UNATTENDED UNTIL ALL FOUR CANOPY SCREWS ARE ENGAGED AND FIRMLY TIGHTENED.

Attaching the Fan Blades

NOTE: Your fan blades are reversible. Select the blade side finish which best accentuates you decor.

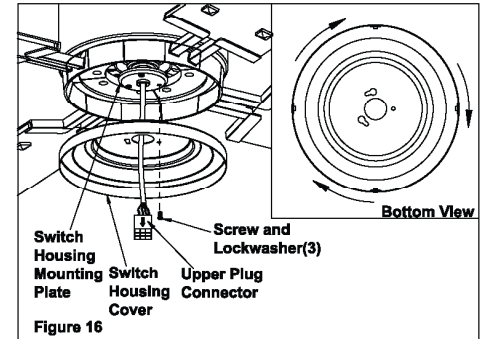
1. Attached blade to blade bracket using the screws and blade studs as shown in Figure 14. Start a screw and stud into the bracket. Repeat for the other remaining screws and studs.
2. Tighten each screw securely.
3. Fasten the blade assembly to the motor by inserting the alignment post into the slot on the bottom of the motor and tightening the motor screws. Please note that the motor screws are pre-attached into the blade brackets (Figure 15).
4. Repeat steps 1, 2 & 3 for the remaining blades.



Attaching the Switch Housing Cover

1. Remove one screw (and lockwasher) from the switch housing mounting plate below the fan motor assembly. Loosen, but do not remove the other two screws (and lockwashers), see Figure 16.
2. Route the upper plug connector through the center opening of the switch housing cover.
3. Align the keyhole slots in the switch housing cover with the two screws (and lockwashers) in the switch housing mounting plate.
4. Turn the **switch housing cover** clockwise until the two screws (and lockwashers) are situated in the narrow end of the keyhole slots as shown in the circle insert of Figure 16.

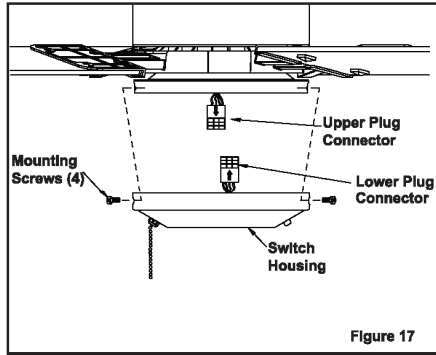
5. Re-install one screw (and lockwasher) that was removed in step 1. Tighten all three screws (and lockwashers) firmly.
- NOTE: Make sure the switch housing cover is securely installed to the switch housing mounting plate. Failure to properly install and tighten all three screws could result in the switch housing falling.



Attaching the Switch Housing

CAUTION: To reduce the risk of electrical shock, disconnect the electrical supply circuit to the fan before installation.

1. Remove four mounting screws from the side of the switch housing cover (Figure 17).

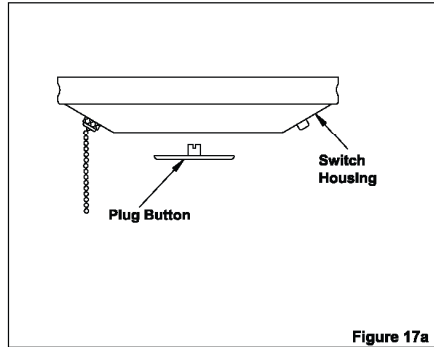


2. Connect the upper plug connector from the fan motor assembly with the lower plug connector from the switch housing assembly.

3. Place the switch housing assembly over the switch housing cover, align the side screw holes in the switch housing and switch housing cover and secure with four mounting screws that were removed in step 1.

NOTE: Your fan is available for an optional light kit adaptation, if you are using a light kit with your fan, depress

the plug button form the switch housing as shown on Figure 17a. and then follow the steps described in the instruction sheet supplied with the light kit for installation.



Blade Balancing

All blades are grouped by weight. Because natural woods vary in density, the fan may wobble even though the blades are weight matched. The following procedure should correct most fan wobble. Check after each step.

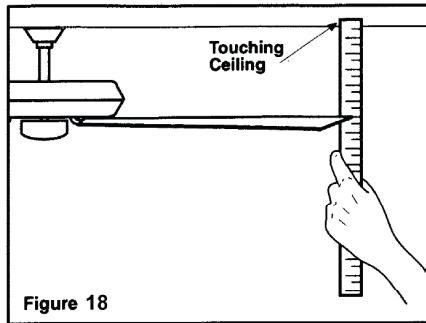
1. Check that all blade and blade bracket screws are secure.

2. Most fan wobble problems are caused when blade levels are unequal. Check this level by selecting a point on the ceiling above the tip of one of the blades. Measure from a point on the center of each blade to the point on the ceiling. Measure this distance as shown in Figure 18. Rotate the fan until the next blade is positioned for measurement. Repeat for each blade. Measurements deviation should be within 1/8". Run the fan for 10 minutes.

3. Make sure that canopy is tightened securely to ceiling mounting plate, and that the ceiling mounting plate is tightened securely to the electrical box.

4. Interchanging two adjacent blades can redistribute the weight and possibly result in smoother operation.

5. Use the enclosed Blade Balancing Kit if the blade wobble is still noticeable.



NOTE

NOTE: WAIT FOR FAN TO STOP BEFORE REVERSING THE DIRECTION OF BLADE ROTATION.

WARNING

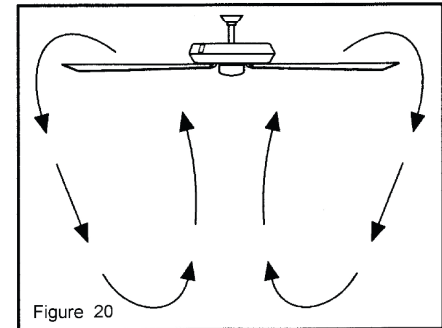
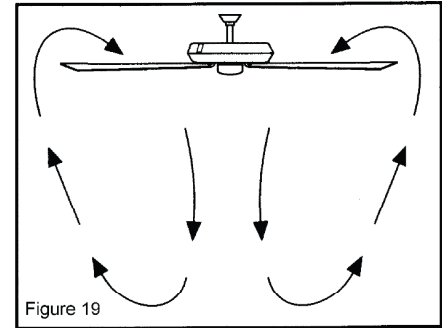
TO REDUCE THE RISK OF PERSONAL INJURY, DO NOT BEND THE BLADE HOLDERS WHILE INSTALLING, BALANCING THE BLADES, OR CLEANING THE FAN. DO NOT INSERT FOREIGN OBJECTS BETWEEN ROTATING FAN BLADES.

Turn on the power and check the operation of the fan. The pull chain controls the fan speed as follows: 1 pull - High, 2 pulls - Medium, 3 pulls - Low and 4 pulls - Off.

Speed settings for warm or cool weather depend on factors such as the room size, ceiling height, number of fans, and so on.

Warm weather – (Forward) A downward air flow creates a cooling effect as shown in Figure 19. This allows you to set your air conditioner on a higher setting without affecting your comfort.

Cool weather – (Reverse) An upward airflow moves warm air off the ceiling area as shown in Figure 20. This allows you to set your heating unit on a lower setting without affecting your comfort.



11. Operating Your Fan

Here are some suggestions to help you maintain your fan.

1. Because of the fan's natural movement, some connections may become loose. **Check the support connections, brackets, and blade attachments twice a year.** Make sure they are secure. **(It is not necessary to remove fan from ceiling.)**

2. Clean your fan periodically to help maintain its new appearance over the years. Do Not use water when cleaning. This could damage the motor, or wood blades, or possible cause electrical shock. Use only a soft brush or cloth to avoid scratching the finish. The plating is sealed with lacquer to minimize discoloration or tarnishing.

3. You can apply a light coat of furniture polish to the wood for additional protection and enhanced beauty. Cover small scratches with a light application of shoe polish.

4. **There is no need to oil your fan.** The motor has permanently lubricated sealed ball bearings.

WARNING

MAKE SURE THE POWER IS OFF AT THE ELECTRICAL PANEL BOX BEFORE YOU ATTEMPT ANY REPAIRS. REFER TO THE SECTION, "MAKING ELECTRICAL CONNECTIONS."

12. Care of Your Fan

Problem

Solution

Fan will not start.

1. Check main and branch circuit fuses or breakers.
2. Check line wire connections to the fan and switch wire connections in the switch housing.
CAUTION: Make sure main power is off.

Fan sounds noisy.

1. Make sure all motor housing screws are snug.
2. Make sure the screws that attach the fan blade bracket to the motor hub are tight.
3. Make sure wire nut connections are not rattling against each other or the interior wall of the switch housing.
CAUTION: Make sure main power is off.
4. Allow a 24-hour “breaking-in” period. Most noises associated with a new fan disappear during this time.
5. If using the Ceiling Fan light kit, make sure the screws securing the glassware are tight. Check that the light bulb is also secure.
6. Make sure the canopy is a short distance from the ceiling.
It should not touch the ceiling.
7. Make sure your ceiling box is secure and rubber isolator pads were used between the hanger bracket and ceiling box.

Troubleshooting 13.

FAN SIZE	SPEED	VOLTS	FAN POWER	AIRFLOW	AIRFLOW	N.W.	G.W.	C.F.
			CONSUMPTION (WITHOUT LIGHTS) WATTS	CFM	EFFICIENCY (HIGHER IS BETTER) CFM/WATT			
52"	Low	120	13	1972	152	18.04	20.02	1.29
	High	120	57	4284	75	Lbs	Lbs	

These are approximate measures. They do not include Amps and Wattage used by the light kit.

©2011 Progress Lighting, Inc.
701 Millenium Blvd.
Greenville, SC 29607
All Rights Reserved

Customer Service:
1-800-447-1723

14. Specifications

GARANTÍA LIMITADA DE 30 AÑOS

Los ventiladores progress lighting garantizan al consumidor estar libres de defectos eléctricos y/o mecánicos por un periodo de 30 años a partir de la fecha de venta. Los interruptores con cadena, los interruptores de inversión, los condensadores y las terminaciones metálicas están garantizadas por un período de 1 año. Las paletas pandeadas de madera o plástico no están cubiertas por esta garantía.

El consumidor tiene la opción de devolver el ventilador defectuoso para su cambio al negocio de adquisición durante los 30 días siguientes. Después de 30 días, el comprador debe contactar progress lighting para la reparación o reemplazo. El consumidor se hará cargo de todos los costos de transporte, expedición y reinstalación de los ventiladores o de las partes para reparar o reemplazar.

Progress lighting no asumirá obligaciones o responsabilidad por daños (incluyendo incidentales o consiguientes) causados por el uso o la instalación impropia de la unidad o de sus partes componentes, o por la falla del equipo de soporte no suministrado por progress lighting . Esta garantía está dada en lugar de todas las otras garantías, sean éstas expresas o implícitas, y es inválida en casos de abuso, uso o manejo incorrectos, tratamiento negligente, daños ocasionados por el transporte, reparaciones no autorizadas (realizadas o tentativas) o aplicación inusual.

Algunos estados no reconocen limitaciones en el término de la garantía implicada o la exclusión o limitación de los daños incidentales o consiguientes, entonces las limitaciones y exclusiones precedentes pueden no ser aplicables a ud. Esta garantía le otorga derechos específicos y ud. Puede tener otros derechos que varíen de estado en estado.

Fecha de Compra _____

Lugar de compra _____

No. de Modelo UL P2531

No. de Serie _____

No. de Vendedor 111017

785247163557

UPC 785247163540



GARANTÍA LIMITADA DE 30 AÑOS

Reglas de Seguridad	Página 1
Cómo Desembalar Su Ventilador	Página 2
Cómo Instalar Su Ventilador	Página 3
Cómo Operar Su Ventilador	Página 11
Cómo Cuidar Su Ventilador.....	Página 12
Resolución de Problemas.....	Página 13
Especificaciones.....	Página 14

Indice

LEER Y GUARDAR INSTRUCCIONES

1. Para reducir el riesgo de una electrocución, asegurarse de cortar el suministro eléctrico apagando los cortocircuitos o la caja de fusibles, antes de comenzar
2. Todo cableado debe realizarse conforme al Código Nacional de Electricidad "ANSI/NFPA 70-1999" y los códigos eléctricos locales. La instalación eléctrica deberá ser hecha por un electricista calificado y licenciado.
3. **ADVERTENCIA:** Para reducir el riesgo de un golpe eléctrico e incendio, no usar este ventilador con ningún dispositivo de estado sólido para el control de velocidad del ventilador.
4. **ADVERTENCIA:** Para reducir el riesgo de daño personal, usar solamente los dos tornillos de acero (y arandelas de seguridad) suministrados y montar el ventilador en una caja de distribución designado "aceptable para soportar ventilador de 15.9 kg (35lbs) o menos."
5. La caja de distribución y el soporte de la estructura del edificio deben estar firmemente instalados y capaces de resistir un mínimo de 35 libras.
6. El ventilador debe ser instalado con un mínimo de 7 pies (218 cm) desde la parte más baja del aspa hasta el piso.

ADVERTENCIA

PARA REDUCIR EL RIESGO DE INCENDIO, ELECTROCUCIÓN O DAÑO PERSONAL, INSTALAR EL VENTILADOR A UNA CAJA DE DISTRIBUCIÓN MARCADA "ACEPTADA PARA SOPORTAR VENTILADOR DE 15.9KG(35lbs) O MENOS" Y USAR LOS TORNILLOS DE MONTAJE SUMINISTRADOS CON LA CAJA DE DISTRIBUCIÓN
7. No operar el conmutador inversor mientras las aspas estén en movimiento. El ventilador debe ser apagado y detenido antes de invertir el giro de las aspas.
8. Evite colocar objetos que interfiera el giro de las aspas.
9. Para evitar daños personales o daños al ventilador y otros artículos, tener cuidado cuando esté trabajando alrededor o limpiando el ventilador.
10. No usar agua o detergente al limpiar el ventilador o las aspas. Un paño seco o ligeramente húmedo será suficiente para limpiar.
11. Después de realizar las conexiones de los conductores, éstos deben separarse de modo que el conductor de puesta a tierra y el conductor de puesta a tierra del equipo queden hacia un lado de la caja de salida y el conductor sin puesta a tierra hacia el otro. Después de hacer los empalmes, se deben girar hacia arriba y empujar con cuidado para introducirlos en la caja de salida.
12. Los diagramas eléctricos son solamente para referencia. Los conjuntos de luces que no son suministrados con el ventilador, deben ser aceptados por las normas U.L. y para uso con el modelo de ventilador que Ud. está instalando. Los interruptores deben ser aprobados por U.L. Consulte las instrucciones suministradas con el conjunto de luces e interruptores por una instalación apropiada.
13. Todos los tornillos de fijación se deben revisar y apretar cada vez que sea necesario antes de la instalación.

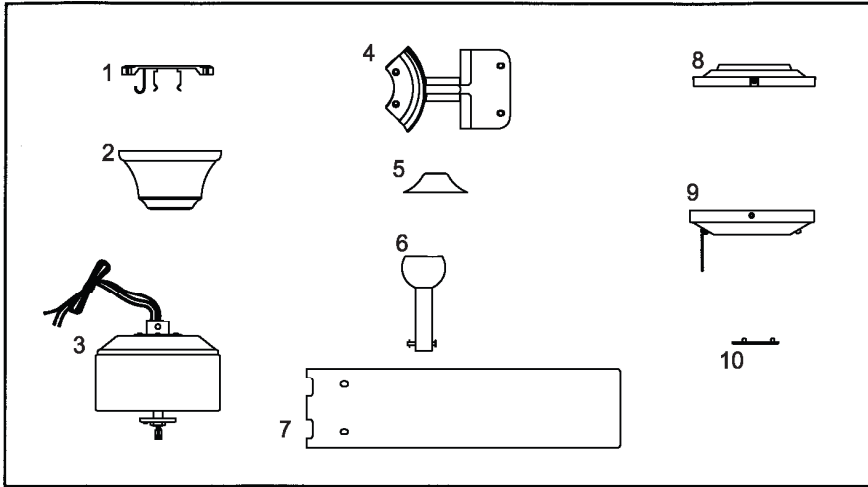
ADVERTENCIA

PARA REDUCIR EL RIESGO DE LESIONES PERSONALES, NO DOBLE LAS ABRAZADERAS DE LAS ASPAS AL INSTALARLAS, EQUILIBRAR LAS ASPAS O LIMPIAR EL VENTILADOR. NO INTRODUZCA OBJETOS

ADVERTENCIA

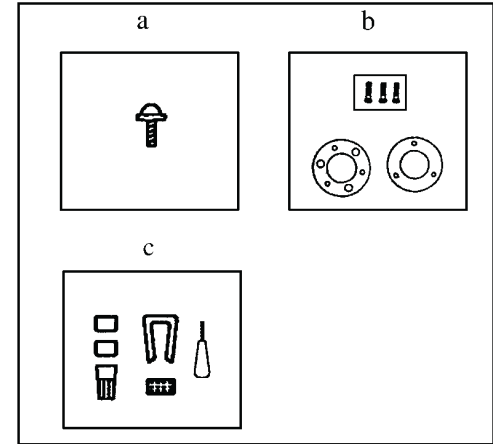
ESTE PRODUCTO CONTIENE SUSTANCIAS QUÍMICAS QUE SEGÚN EL ESTADO DE CALIFORNIA CAUSA CÁNCER, DEFECTOS DE NACLMLENTO Y (O) DAÑO AL SISTEMA REPRODUCTOR. LAVARSE BIEN LAS MANOS DESPUÉS DE INSTALAR, MANIPULAR, LIMPIAR O TOCAR DE MANERA ALGUNA ESTE PRODUCTO.

1. Reglas de Seguridad



Desempaque se ventilador y revise el contenido. Ud. debiera tener las siguientes partes:

- | | |
|---|--|
| 1. Placa de montaje (localizada dentro del escudete) | 6. Conjunto de tubo descendente(1) (perno y chaveta de seguridad pre-instalados) |
| 2. Marquesina con el anillo de la marquesina enroscado | 7. Aspas (4) |
| 3. Conjunto de motor del ventilador | 8. Cubierta de la caja de interruptores |
| 4. Soporte del asa o brazo (4) (Incluye tornillos pre-instalados) | 9. Caja de interruptores |
| 5. Cubierta decorativa del aro del motor | 10. Cubierta de Escudete de 45 grados adicional |



- a. Partes para instalación de las aspas (9 tornillos)
- b. **Ferretería para montaje**
(1 sello plástico, 1 sello metalico, 3 tornillos y arandelas.)
- c. **Partes eléctricas** (3 conectores de plástico para cable, 1 colgantes, equipo de balanceo para las aspas)

IMPORTANTE
POR FAVOR REMUEVA LAS GOMAS LOCALIZADAS EN LA PARTE INFERIOR DEL VENTILADOR ANTES DE INSTALAR LAS ASPAS O PROBAR EL MOTOR DEL VENTILADOR.

Cómo Desembalar Su Ventilador 2.

Herramientas Necesarias:

Desarmador de cruz, desarmador plano, pinzas ajustables, cortadoras de alambre y cinta aislante

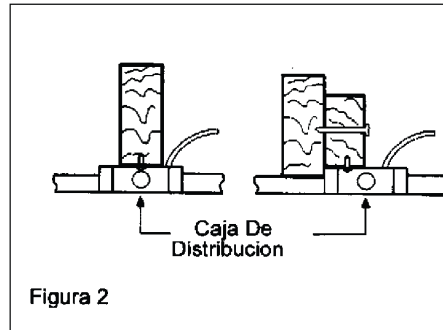
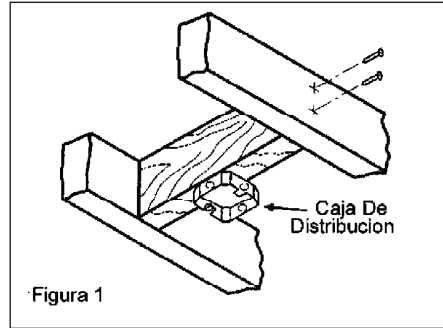
Opciones De Montaje

Si no existe una caja de distribución instalada, siga las siguientes instrucciones. **Desconecte la energía eléctrica apagando los interruptores del circuito o sacando los fusibles.**

Asegure la caja de distribución directamente en la estructura del edificio. Use los soportes y materiales de construcción apropiados. La caja de distribución y su soporte deben de ser capaces de soportar todo el peso en movimiento del ventilador (mínimo de 35 libras). No use cajas de distribución de plástico.

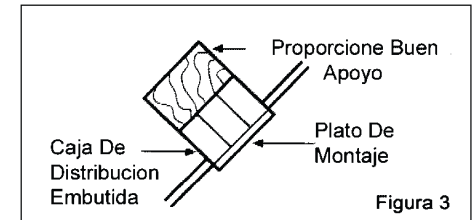
ADVERTENCIA
PARA REDUCIR EL RIESGO DE INCENDIO, DESCARGA ELÉCTRICA O LESIONES PERSONALES, INSTALA SOLO EN UNA CAJA ELÉCTRICA CLASIFICADA COMO APROPIADA PARA SOSTENER VENTILADORES DE 35 LB (15.9 KG) O MENOS, Y USA SOLO LOS TORNILLOS INCLUIDOS CON DICHA CAJA. LAS CAJAS ELÉCTRICAS UTILIZADAS COMUNMENTE COMO SOPORTE PARA INSTALACIONES FIJAS DE ILUMINACIÓN PUEDEN NO SERVIR COMO SOPORTE DEL VENTILADOR Y TAL VEZ DEBAN REEMPLAZARSE. CONSULTA A UN ELECTRICISTA CALIFICADO SI TIENES DUDAS.

Las figuras 1, 2 y 3 muestran alternativas diferentes para montar la caja de distribución.

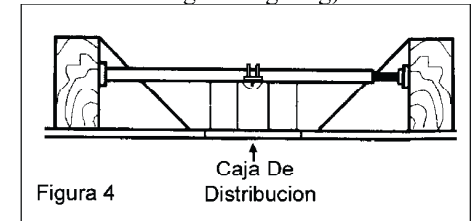


Nota: Ud. puede necesitar una barra de extensión para mantener la distancia apropiada de las aspas cuando la instalación se efectúe en un techo inclinado. **El máximo ángulo**

permitido es de 45 grados. Nota: Para ángulos de instalación entre 20 y 45 grados, por favor retire la cubierta inferior del escudete instalada en la parte inferior de la abertura de este y reemplácela con la cubierta de escudete de 45 grados adicional que se incluye en el paquete.



Para colgar su ventilador donde ya existe una instalación pero no una viga de techo, es posible que se necesite una instalación de barra de suspensión como se muestra la Figura 4 (disponible en su distribuidor Progress Lighting).



3. Cómo Instalar Su Ventilador

Colgando el Ventilador

RECORDAR cortar el suministro de energía eléctrica. Seguir los pasos siguientes para colgar su ventilador apropiadamente.

NOTA: Este ventiladores suministrado con dos métodos diferentes para ser colgado; el método estandar que incluye el tubo descendiente con montaje de bola y receptáculo y el montaje "próximo al techo". El método "próximo al techo", se recomienda para habitaciones con menos de 8 pies de altura o en areas donde se requiera mayor distancia entre el piso y las aspas del ventilador. Al usar el método estandar de montaje con tubo, la distancia entre el techo y la parte más baja de las aspas deberá ser aproximadamente 12 pulgadas. El método "próximo al techo" reduce esta distancia a 8 pulgadas.

METODO ESTÁNDAR DE MONTAJE

El máximo ángulo permitido es de 45 grados. **Nota:** Para ángulos de instalación entre 20 y 45 grados, por favor retire la cubierta inferior del escudete instalada en la parte inferior de la abertura de este y reemplácela con la cubierta de escudete de 45 grados adicional que se incluye en el paquete.

1. Retire el anillo de la marquesina

girándolo hacia la derecha hasta que se desenganche (Figura 5).

2. Retire la placa de montaje de la marquesina desenroscando los cuatro tornillos ubicados en la parte superior de la marquesina. Retire los dos tornillos de cabeza sin ranura y desenrosque los tornillos de cabeza con ranura. Así se podrá retirar la placa de montaje (Figura 6).

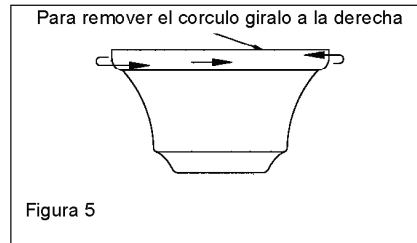


Figura 5

3. Quite la perno y chaveta de seguridad del conjunto de tubo descendiente.

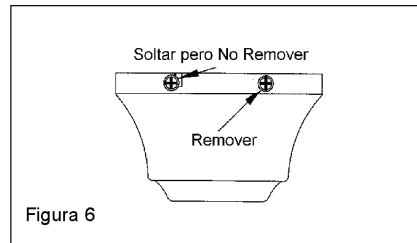


Figura 6

4. Pase los alambres que salen de la parte superior del motor del ventilador a través de la cubierta decorativa del aro

del motor y luego por el anillo de la marquesina. Asegúrese que las ranuras queden encima. Pase los alambres por la marquesina y luego por el ensamblaje de la bola/ del tubo (Figura 7).

5. Soltar pero no quitar, el tornillo fijado que se encuentra en el collarín encima del conjunto del motor.

6. Alinee los agujeros de la parte inferior del tubo con los agujeros del aro en la parte superior de la cubierta del motor (Figura 7). Introduzca con cuidado el pasador a través de los agujeros del aro y del tubo. Tenga cuidado de no empujar el pasador contra los alambres dentro del tubo. Inserte la chaveta en los agujeros ubicados cerca de la extremidad del pasador hasta que enganche en su posición cerrada como se nota en la inserción redonda de la Figura 7.

7. Apriete de nuevo el juego de tornillos que esta sobre el collar en la parte superior del caparazón del motor.

ADVERTENCIA
EL NO APPRETAR ADECUADAMENTE LA TUERCA COMO SE MUESTRA EN EL PASO Y NO APRETAR ADECUADAMENTE LOS TORNILLOS COMO SE MUESTRA EN EL PASO 6, PUEDE RESULTAR EN QUE EL VENTILATOR SE SUELTE Y CAIGA.

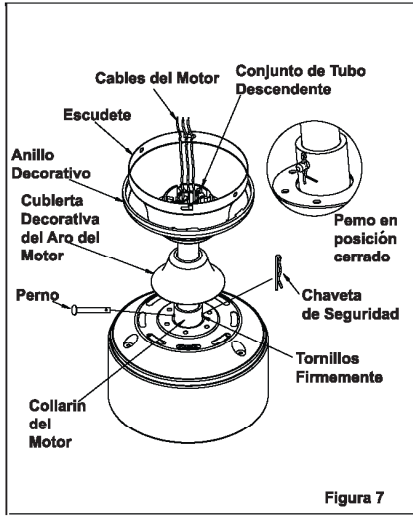


Figura 7

INSTALACION PRÓXIMA AL TECHO

1. Retire el anillo de la marquesina girándolo hacia la derecha hasta que se desenganche (Figura 5).

2. Retire la placa de montaje de la marquesina desenroscando los cuatro tornillos ubicados en la parte superior de la marquesina. Retire los dos tornillos de cabeza sin ranura y desenrosque los tornillos de cabeza con ranura. Así se podrá retirar la placa de montaje (Figura 6).

3. Remover la cubierta decorativa en la parte de abajo del escudete presianando los 3 botones de la cubierta (Figura 8).

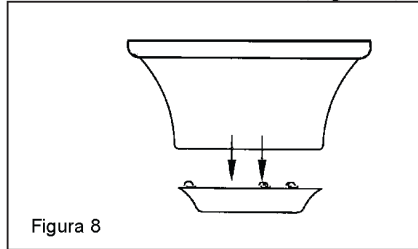


Figura 8

4. Remover tres de los seis tornillos y arandelas de seguridad (uno por medio) asegurando el refuerzo a la parte superior de la cubierta del motor (Figura 9).

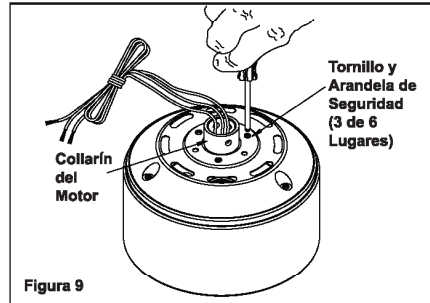


Figura 9

5. Coloque el sello plástico sobre los 3 tornillos restantes, acomode los cables existentes en la parte superior del motor del ventilador pasandolos a través del

escudete. Luego coloque el anillo del escudete y el escudete de techo sobre el collar en la parte superior del motor (Figura 10).

6. Alinee los agujeros de montaje con los agujeros de la parte superior del motor y ajústelos usando los tres tornillos y arandelas suministrados con el sello metálico.

7. Aprctar los tornillos adccuadamente.

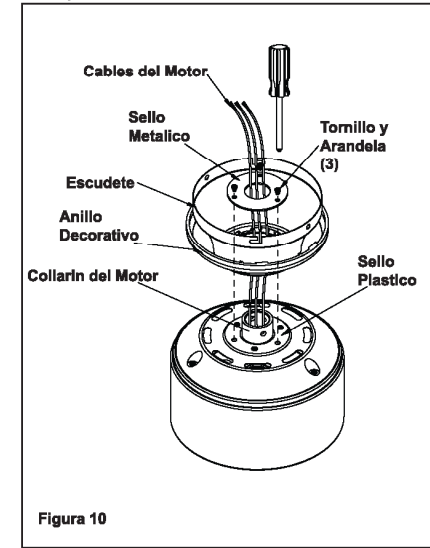
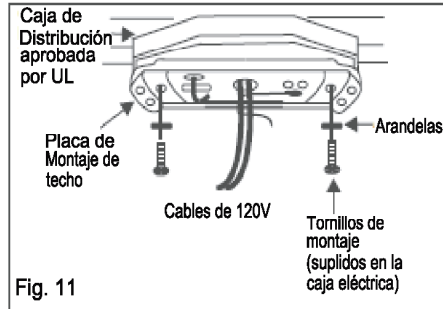


Figura 10

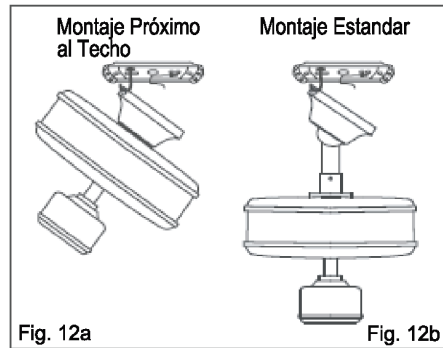
Instalando el Ventilador a la Caja Eléctrica

1. Pasa los cables de 120 voltios a través del orificio central en el soporte de montaje de techo como lo muestra la Figura 11.
2. Instale la placa de montaje de techo a la caja eléctrica atornillándola con los tornillos provistos en la caja de enchufe. Cuando uses el montaje cerca del techo, es importante que el soporte de montaje esté nivelado. Si es necesario, usa arandelas niveladoras (no incluidas) entre el soporte de montaje y la caja eléctrica. Nota que el lado plano del soporte de montaje está hacia la caja eléctrica (Figura 11).
3. Apriete con seguridad los dos tornillos a la caja de enchufe.
4. Con cuidado alza el ensamblado del ventilador hacia el soporte de montaje del techo y cuelga el ventilador del gancho suministrado, usando uno de los orificios en el borde exterior de la cubierta de techo (Figura 12a, 12b).



ADVERTENCIA: EL GANCHO COMO SE MUESTRA EN LA FIGURA 12a, 12b SOLAMENTE ES PARA SOSTENER EL VENTILADOR MIENTRAS SE CONECTAN LOS CABLES. SI NO SE CUELGA COMO SE MUESTRA EN LA FIGURA 12a, 12b, PUEDE ROMPERSE EL GANCHO, Y EL VENTILADOR SE CAERÁ. EL GANCHO DEBE PASAR DE ADENTRO HACIA FUERA DE LA CUBIERTA.

ADVERTENCIA: CUANDO USES EL MONTAJE DE TUBO BAJANTE Y BOLA ESTÁNDAR, LA PESTAÑA EN EL ARO EN LA PARTE INFERIOR DEL SOPORTE DE MONTAJE DEBE QUEDAR DENTRO DE LA RANURA DE LA BOLA DE SOPORTE. SI NO ENCAJA CORRECTAMENTE LA PESTAÑA EN LA RANURA, SE PUEDE DAÑAR EL CABLEADO.



PRECAUCIÓN: CUANDO MONTES EL VENTILADOR EN UN TECHO INCLINADO, DEBES USAR EL MÉTODO DE MONTAJE CON TUBO BAJANTE Y BOLA ESTÁNDAR. ASEGÚRATE DE QUE LAS RANURAS DEL SOPORTE DE MONTAJE ESTÉN EN EL LADO INFERIOR DESLIZANDO EL SOPORTE DE MONTAJE DESDE ARRIBA HACIA ABAJO.

Haciendo las Conexiones Eléctricas

Recordar de desconectar la energía eléctrica. Si Ud. cree que no tiene conocimientos ni experiencia suficientes, su ventilador debe ser instalado por un electricista licenciado.

Seguir los pasos indicados más abajo para conectar su ventilador al circuito eléctrico. Usar los conectores de cables suministrados con su ventilador. Asegurar los conectores de cables con cinta adhesiva eléctrica. Asegúrese de no dejar cables o conexiones sueltas.

Paso 1 Conectar el conductor de tierra del suministro de 120 voltios (este puede ser un cable descubierto o un cable con aislación verde) al (los) cable (s) verde (s) de tierra del ventilador (Figura 13). Al usar el método estandar de montaje existen dos cables verdes de tierra uno del soporte de montaje rápido y otro del tubo descendente. Si usa el método próximo al techo existe solo un cable verde de tierra del soporte de montaje ya que el tubo descendente no se usa.

Paso 2 Conectar el cable blanco del motor del ventilador al cable blanco del suministro eléctrico (neutro) usando una tuerca de cable.

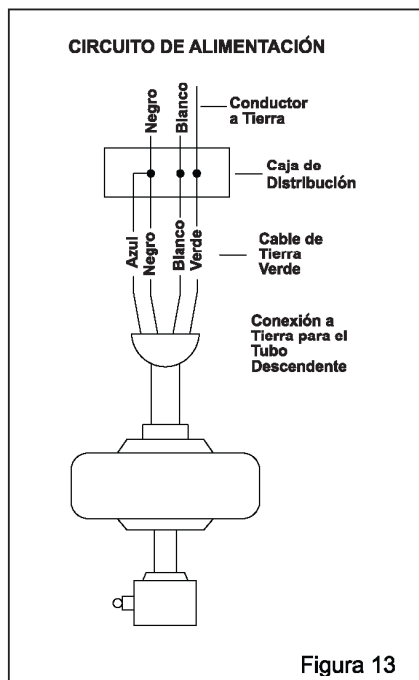
Paso 3 Conectar el cable negro del motor del ventilador al cable negro del suministro eléctrico usando una tuerca de cable.

Paso 4 Después de conectar los cables, separarlos de manera que los cables verde y blanco queden a un lado de la caja eléctrica y el cable negro quede al otro lado.

Paso 5 Voltear los conectores de cables hacia arriba y empujar los cables dentro de la caja eléctrica.

ADVERTENCIA
VERIFICAR QUE TODAS LAS CONEXIONES ESTEN APRETADAS, INCLUYENDO TIERRA, Y QUE NO QUEDEN CABLES DESCUBIERTOS VISIBLES, EXCEPTO PARA LOS CABLES DE TIERRA.

ADVERTENCIA
NO USAR UN DISPOSITIVO DE ESTADO SÓLIDO PARA EL CONTROL DE VELOCIDAD ESTO DAÑARÍA PERMANENTEMENTE EL CIRCUITO ELECTRONICO DEL VENTILADOR.



Finalización de la Instalación del Ventilador.

MONTAJE ESTÁNDAR

1. Levante cuidadosamente el escudete hasta la placa de montaje. Cerciórese de que la lengüeta en el anillo en el fondo del escudete esté asentada correctamente en el surco en la bola de la suspensión. Alinee las ranuras de fijación del escudete del techo con los dos tornillos en la placa de montaje. Empuje hasta que se acoplen las ranuras y da vuelta a la derecha a la cerradura en lugar. Apriete inmediatamente los dos tornillos de montaje firmemente.
2. Instale los dos tornillos restantes en los agujeros del escudete y apretelos hasta quedar bien firmes.
3. Instale el anillo decorativo del escudete alineando las ranuras del anillo con los tornillos del escudete. Gire el anillo en el sentido de los punteros del reloj y asegure firmemente.
4. Ahora usted va a proceder a la instalación de las aspas del ventilador.

MONTAJE PRÓXIMO AL TECHO

1. Cuidadosamente descuelge el ventilador del plato de montaje y alinee los agujeros de bloqueo del escudete de montaje con los dos tornillos del plato. Presione hacia arriba para encajar los agujeros y gire en el sentido de las manecillas del reloj para asegurar que quede en su lugar. Inmediatamente apriete los dos tornillos de montaje.
2. Instale los dos tornillos restantes en los agujeros del escudete y apretelos hasta quedar bien firmes.
3. Instale el anillo decorativo del escudete alineando las ranuras del anillo con los tornillos del escudete. Gire el anillo en el sentido de los punteros del reloj y asegure firmemente.
4. Ahora usted va a proceder a la instalación de las aspas del ventilador.

ADVERTENCIA
 LOS AGUJEROS EN LA MARQUESINA SE PROVEEN SOLAMENTE COMO AYUDA PARA LA INSTALACION. NO DESCUIDE EL ENSAMBLAJE DEL VENTILADOR HASTA QUE LOS CUATRO TORNILLOS DE LA MARQUESINA ESTEN ENGANCHADOS Y AJUSTADOS COMPLETAMENTE.

Sujetando las Aspas del Ventilador

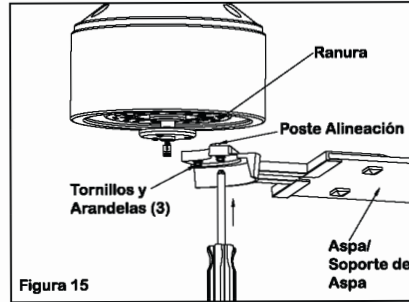
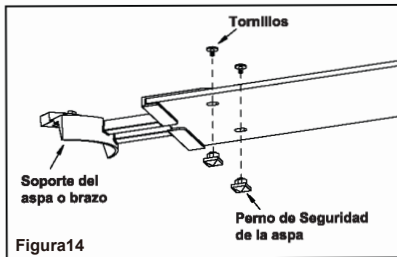
NOTE: Las aspas son reversibles. Elegir el acabado que complementa el estilo del cuarto.

Paso 1 Anexe la aspa al soporte de la aspa utilizando los tornillos y los Perno de seguridad de la aspa como lo muestran en la figura 14. atorníllelo y asegúrelo al soporte. Repítalo para todos los tornillos y los pernos de seguridad de la aspa restantes.

Paso 2 Apretá cada tornillo firmemente.

Paso 3 Sujeta la asamblea de la aspa al motor por insertando el poste de alineación en la ranura del fondo del motor y apreta los tornillos firmemente. Nota que los tornillos ya están sujetos en el soporte de la aspa (Figura 15).

Paso 4 Para cada aspa. Repeté paso 1,2, y 3.



Sujetando la Cubierta de la Caja de Interruptores

1. Remueva un tornillo (y una arandela) del Plato de la caja de interruptores debajo del ensamblaje del motor del ventilador. Suelte pero no remueva los otros dos tornillos (y arandelas), mire la figura 16.

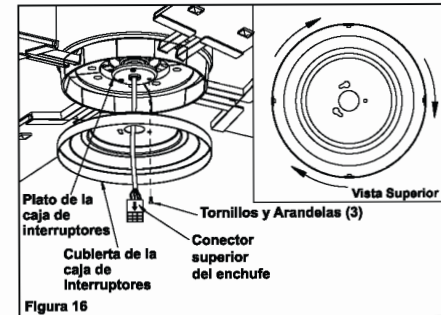
2. Pase el conector superior del enchufe a través del orificio del centro de la cubierta de la caja de interruptores.

3. Alinee la hendidura de referencia de la cubierta de la caja de interruptores con los dos tornillos (y arandelas) en el plato de la caja de interruptores.

4. Gire la Cubierta de la caja de interruptores en el sentido de las agujas del reloj hasta que los dos tornillos (y las arandelas) queden situadas en el final de la hendidura de referencia como lo muestra la figura 16.

5. Instale nuevamente un tornillo (y arandela) que fue removida en el paso 1. Apriete los tres tornillos (y las arandelas) firmemente.

NOTA: Asegúrese que la cubierta de la caja de interruptores sea seguramente instalada al plato de montaje de la caja de interruptores. Si se instala y se aprieta incorrectamente los tornillos (y arandelas) podría resultar en que la caja de interruptores se caiga.



Sujetando la Caja de Interruptores

CUIDADO: Con el fin de reducir el riesgo de choque eléctrico, incendios o lesiones personales, desconecte el circuito de suministro de energía del ventilador antes de su instalación.

1. Remueva cuatro tornillos de montaje del lado de la Cubierta de la caja de interruptores (figura 17).

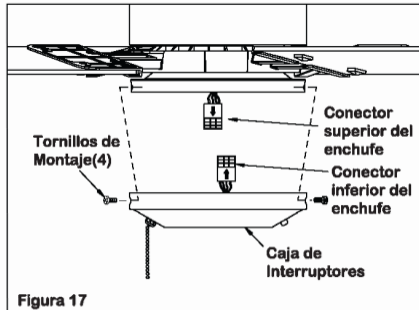


Figura 17

2. Conecte el conector superior del enchufe del ensamblaje del motor del ventilador con e conector inferior del enchufe del ensamblaje de la caja de interruptores.

3. Coloque el ensamblaje de la caja de interruptores sobre la Cubierta de la caja de interruptores, alinee los orificios de los tornillos de un lado de la Cubierta de la caja

de interruptores y asegúrelo con cuatro tornillos de montaje que fueron removidos en el paso 1.

Nota: Para su ventilador existe un adaptador de juego de luces opcional, si usted esta utilizando un juego de luces con su ventilador, Remueva el botón del enchufe de la caja de interruptores como lo muestra la figura 17a. Y siga los pasos detallados en las intrusiones suministradas para la instalación con el juego de luces.

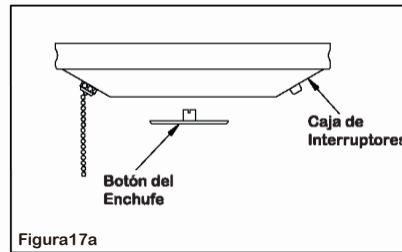


Figura 17a

Balaceando Las Aspas

Todo las aspas son agrupadas de acuerdo con su peso. Debido a que las maderas naturales varían en densidad, el ventilador puede oscilar a pesar de que las aspas han sido seleccionadas con igual peso.

El siguiente procedimiento debiera corregir practicamente todo la oscilación. Verificar después de cada paso.

1. Verificar que todos los tornillos de las aspas y de los soportes de aspas estén firmemente apretados.

2. Muchos de los problemas de oscilación se producen cuando la altura de las aspas son desiguales. Verificar altura seleccionando un punto en el techo sobre la punta de una de las aspas. Medir desde un punto en el centro de cada aspa al punto en el techo. Medir esta distancia como muestra la Figura 18. Rotar el ventilador hasta que la próxima aspa quede en posición para cada aspa. Las medidas deben mantenerse dentro de 1/8". Operar el ventilador por 10 minutos.

3. Cerciérese de que el escudete esté apretado con seguridad al soporte de montaje en el techo, y que soporte de montaje del techo este apretado con seguridad a la caja eléctrica.

4. El intercambio de dos aspas adyacentes puede redistribuir el peso y dar lugar posiblemente a una operación más pareja.

5. Usar el kit de balanceo incluido si la oscilación de las aspas aún es apreciable.

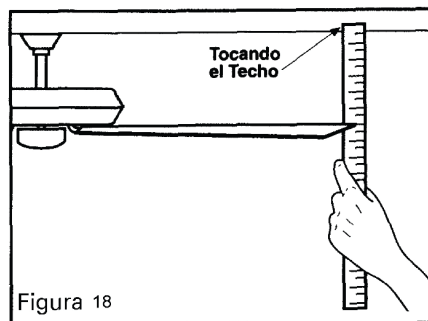


Figura 18

NOTA
ESPERAR QUE EL VENTILADOR SE DETENGA ANTES DE INVERTIR LA DIRECCION DE LA ROTACION DE LAS ASPAS.

ADVERTENCIA
PARA REDUCIR EL RIESGO DE DAÑO PERSONAL NO DOBLE LOS SOPORTES DE LAS ASPAS AL INSTALARLAS, BALANCEARLAS O AL LIMPIAR EL VENTILADOR. NO INSERTAR OBJETOS EXTRAÑOS ENTRE LAS ASPAS CUANDO ESTAS ESTEN ROTANDO.

Cómo Cuidar de su ventilador

Activar la energía eléctrica y verificar el funcionamiento del ventilador. El interruptor de cadena controla la velocidad del ventilador como sigue: 1 tirón- Alta, 2 tirones- Media, 3 tirones- Baja y 4 tirones- Apagado (Off).

Las diferentes velocidades para clima cálido o fresco dependen de factores tales como el tamaño de la habitación, altura del techo, número de ventiladores, etc.

Clima Cálido - (Hacia adelante) Un flujo de aire hacia abajo crea un efecto refrescante como muestra la Figura 19. Esto permite que Ud. regule su equipo de aire acondicionado más alto sin afectar su comodidad.

Clima Fresco - (Reverso) Un flujo de aire hacia arriba mueve el aire cálido estacionado en el techo como muestra la Figura 20. Esto permite que Ud. regule su equipo de calefacción más bajo sin afectar su comodidad.

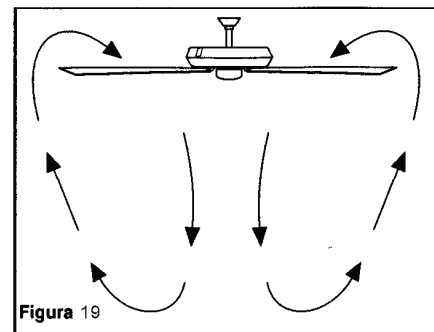


Figura 19

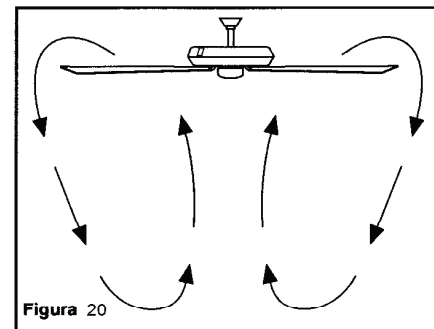


Figura 20

Cómo Operar Su Ventilador 11.

Las siguientes son sugerencias que le ayudarán a mantener su ventilador.

1. Debido al movimiento natural del ventilador, algunas conexiones pueden soltarse. Verificar las conexiones del soporte, aspas y soportes de aspas dos veces al año. Asegúrese de que están firmes. **(No es necesario desmontar el ventilador del techo).**

2. Limpiar ventilador con frecuencia, para que luzca como nuevo al Paso de los años. No uses agua al limpiar; esto puede dañar el motor o La Madera e incluso provocar descargas eléctricas. Usa solo un cepillo suave o un paño sin pelusas para evitar arañar el acabado. El revestimiento está sellado con laca para minimizar la decoloración u opacidad.

**ATENCIÓN
ASEGURARSE DE DESCONECTAR EL
SUMINISTRO DE ENERGIA ELECTRICA
ANTES DE COMENZAR CUALQUIER
REPARACION. REVISAR LA SECCION
"HACIENDO LAS CONEXIONES
ELECTRICAS".**

3. Ud. puede aplicar una capa delgada de lustramuebles a la madera como protección adicional y realizar su belleza. Cubrir las pequeñas ralladuras con una suave aplicación de betún de zapatos.
4. **No hay necesidad de lubricar su ventilador.** El motor tiene rodamientos sellados con lubricación permanente.

12. Cómo Cuidar de Su Ventilador

Problema

El ventilador no arranca.

Solución

1. Revisar los fusibles o interruptores de circuitos.
CUIDADO: Asegúrase de que la energía eléctrica esté cortada.
2. Revisar las conexiones de los cables al ventilador y las conexiones de los cables en el alojamiento de interruptores.

El ventilador está ruidoso.

1. Asegurarse de que todos los tornillos de la cubierta del motor estén apretados.
2. Asegurarse de que los tornillos que sujetan los soportes de las aspas al motor están apretados.
3. Asegurarse de que los conectores de los cables no están rozando entre ellos o con la pared interior del motor. **CUIDADO:** Asegúrase de que la energía eléctrica esté cortada.
4. Dejar un periodo de espera de 24 horas. La mayoría de los ruidos asociados con un ventilador nuevo desaparecen en este período.
5. Si está usando un juego de luces opcional en el ventilador, asegurarse de que los tornillos que sujetan las pantallas de vidrio estén apretados. Revisar que las bombillas estén apretadas.
6. Asegurarse de que la parte superior del escudete esté a corta distancia del techo. No debe tocar el techo.
7. Asegurarse de que la caja de distribución está firme y que aislantes de goma fueron usados entre el soporte de montaje y la caja de distribución.

13. Resolución de Problemas

TAMAÑO DEL VENTILADOR	VELOCIDAD	VOLTIOS	CONSUMO DE ENERGÍA DEL VENTILADOR (SIN LUCES) WATTS	FLUJO DE AIRE CFM	LA EFICIENCIA DEL FLUJO DE AIRE (MÁS ALTO ES MEJOR) CFM/WATT	PESO NETO	PESO BRUTO	PIES CÚBICOS
52"	Baja	120	13	1972	152	18.04	20.02	1.29
	Alta	120	57	4284	75	Lbs	Lbs	

Estas son medidas aproximadas. No incluyen amperios y voltios usado por el juego de luces.

©2011 Progress Lighting, Inc.
701 Millenium Blvd.
Greenville, SC 29607
Derechos Reservados

Servicio al cliente:
1-800-447-1723

14. Especificaciones

